

# HALE SECURITY PET DOOR® FLAT SECURITY BARRIER™ INSTALLATION INSTRUCTIONS

The Hale Security Pet Door® Flat Security Barrier™ is designed to be extremely easy for a homeowner to install. The simplest installation is using the barrier by itself. However, it is also designed to be installed inside a pre-existing dog house, planter, or other exterior decorative feature that is used to shield the pet door.

Since there are many variations and options available for items to cover the barrier, we are unable to provide specific installation instructions for every possible scenario. Therefore, we are providing simple installation instructions for securing the barrier itself to the ground.

Please read these instructions carefully and completely before attempting to install your flat security barrier; they will guide you through the steps and precautions needed for a successful installation. Photos and illustrations have been added to help our customers understand various instructions. NOTE: Photos do not show wood façade cover for visibility purposes. To reach an experienced installer for free consultation, please call 1-800-646-4773. Any person with a working knowledge of power tools and basic home construction or repair can install the Hale Security Pet Door Dog House Barrier. It is important to note however, that the product warranty may be affected if returns have been modified in any way other than specified by these instructions. The barrier must be properly installed and your animals properly trained in its usage. As with installation of any Hale Security Pet Door product, local building codes supersede the information printed herein. Please be sure to follow all local building codes for your area.

## **A SAFETY REMINDER!**

**Always wear eye protection and gloves when appropriate.**

**Step 1:** Before installation, be sure that you have the proper size flat security barrier for your pet and your pet door. You don't want them to have to crawl through or hunch over as this can hurt an animal's hips.

**Step 2:** Take a brief look at the illustrations of the barrier and become familiar with various components. This will not only help in understanding the terms used in these instructions but can be very useful should you need to call for technical support.

**Step 3:** Check the package you received to make sure that it contains all the necessary parts.

### **Complete Kit includes:**

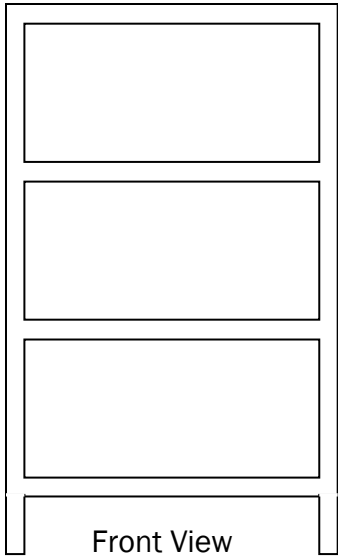
Hale Security Pet Door® Flat Security Barrier™ (configuration varies depending on size ordered)  
Hardware Packet (contains 4 - 9/16" bolts)  
Instructions  
Warranty

### **Tools you may need: (varies depending on the landscape surface and whether you are installing your barrier inside another object)**

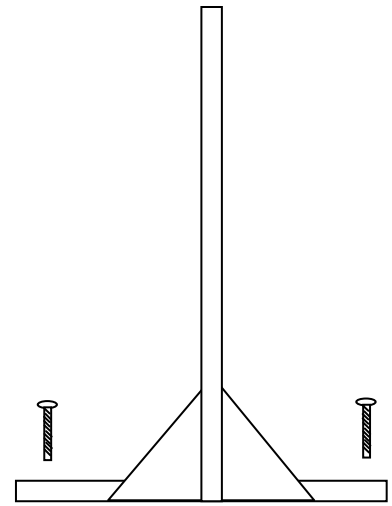
|                |   |
|----------------|---|
| Electric Drill | Level   |
| Screwdriver    | Circular Saw, to adapt existing dog house, etc. |
| Tape Measure   | Shovel, to level exterior ground if needed      |

### **Additional items possibly needed depending on landscape surface:**

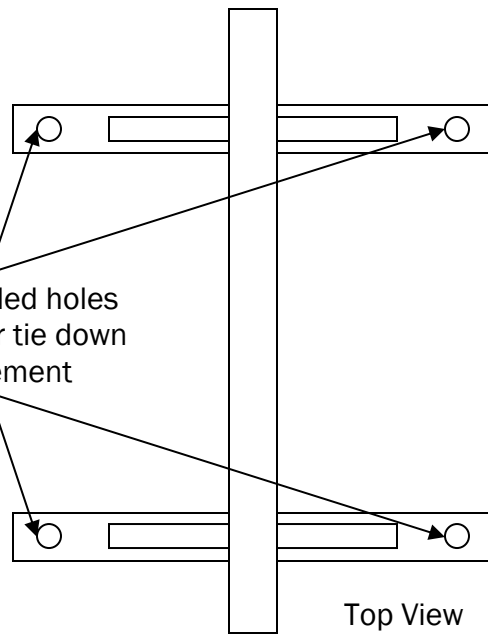
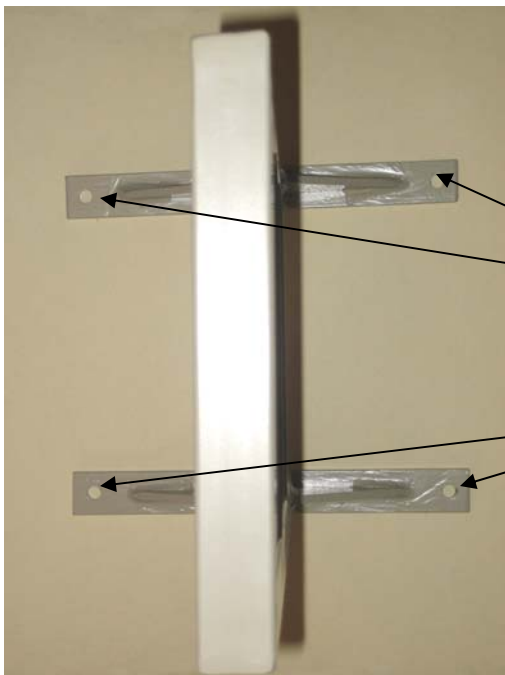
Tie downs appropriate for your ground surface (not provided)



Front View



Side View



Top View

4 predrilled holes  
for bolt or tie down  
placement

**Step 4:** Determine the exact location for your flat security barrier. The security barrier should be installed centered directly in front of the pet door. If it is to be located inside an existing object such as a dog house or planter, adapt the existing unit to allow passage of your pet through the dog house, etc. and into the pet door in your house wall. Level the ground if needed to prepare for installation.



**Step 5:** Measure your dog and holding the barrier firmly in place, determine the distance from the wall needed for your pet to safely pass behind the barrier and turn into the pet door. This distance varies depending on the size of the pet, the size of the pet door, and the size of the barrier. Take care not to make this distance uncomfortably small for your pet. Make sure you install the barrier close enough to the wall to make it difficult for a human to fit between the barrier and the wall. NOTE: The same principles apply if you are installing the barrier to allow smaller animals, such as cats, access to the pet door and restricting access to larger animals, such as a dog. Mark the location of the bolt positions.

**Step 6:** Using the method appropriate for your landscape surface (i.e. wood deck, grass, gravel, soil, concrete pad, etc.), drill through the four pre-drilled holes in the legs of the barrier. Secure with the appropriate hardware for your application. The bolts provided with your barrier should be appropriate for any solid surface material such as wood or concrete. Tie downs may be used for less solid materials such as grass or soil. There are many varieties available online or at any home improvement store. Follow the directions that came with the tie downs to secure them.

**Step 7:** Your barrier should now be firmly attached to the ground. If desired, cover it with the dog house, planter, etc. This will not only shield it from view but also block access to the bolts or tie downs used to secure the barrier.

**Step 8:** Your installation is now complete. You may need to retrain your animal to use the pet door as the approach or exit path will be different. This should be easily completed in a few minutes. However, should you need assistance, please feel free to call our technical support number at 800-646-4773.