

# HALE PET DOOR™

## INSTALLATION INSTRUCTIONS

### HALE STANDARD PANEL™ MODEL

Please read these instructions carefully and completely before attempting to install Hale Pet Doors; they will guide you through the steps and precautions needed for a door installation. Photos and illustrations have been added to help you to understand various instructions. In order to reach an experienced installer for free consultation, please call 1-800-646-4773. All Hale Pet Doors are designed for ease of installation and the Hale Standard Panel™ is ideal for most sliding patio doors. (Note: The standard panel will not work for either Pella or Anderson sliding doors as those doors do not have a track that the standard panel insert can be attached to. The pressure fitted Hale Omni Panel™ is ideal for those instead.) Any person with a working knowledge of power tools and basic home construction can install the Hale Pet Door™. It is important to note however, that the product warranty may be affected if returns have been modified in any way other than specified by these instructions. We cannot give credit for a door returned to us damaged.

#### A SAFETY REMINDER!

**Always wear eye protection and gloves when appropriate.**

**Step 1:** Before installation, be sure that you have the proper size pet door for your pet. If in doubt, larger is better. It may be harmful for your pet to use a pet door that is too small.

**Step 2:** Take a brief look at the large illustration of the Hale Standard Panel™ model at the end of the instructions and become familiar with various components of this panel model. This will not only help in understanding the terms used in these instructions but can be very useful should you need to call for technical support.

**Step 3:** Check the package you received to make sure it contains all the necessary parts.

Complete kit includes:

#### Instructions

5/8" #6 Phillips head screws

Vinyl weather-stripping

Hale Standard Panel™ locking strip

Hale Pet Door™ Hale Standard Panel™ Model

#### Warranty

7/64" drill bit

GE Lexan® security cover

Hale Standard Panel™ door lock

Tools you will need:

Drill

#2 Phillips screwdriver

Hacksaw

7/64" drill bit (included)

Tape measure

#6 Sheet metal screws (included)

Glass cleaner and paper towels

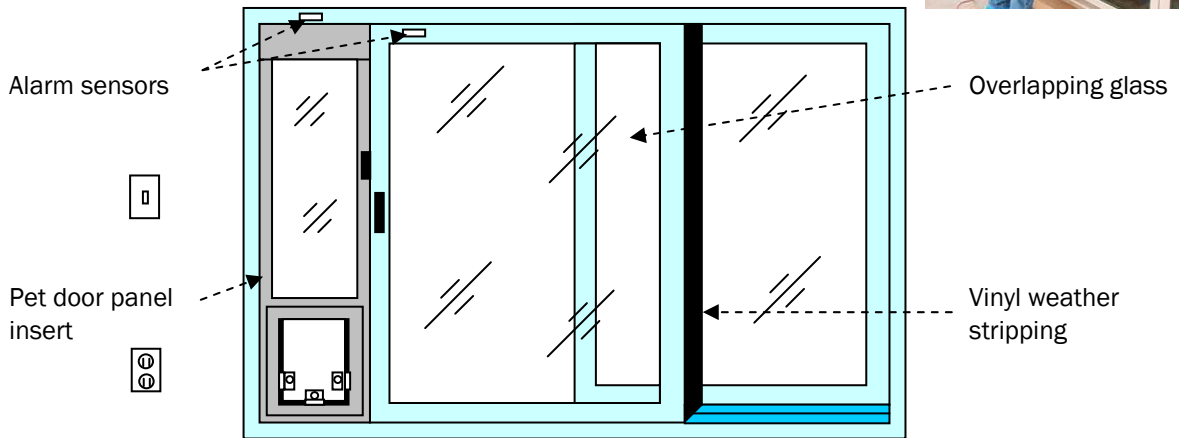
**Step 4:** Lay down drop cloths on both sides of the door for easier cleanup after installation.



**Step 5:** Clean the glass in the patio door. When the pet door insert is installed there will be some overlapping of the slider panel and the stationary panel. This is nearly impossible to clean without removing the pet door insert, so cleaning it before installation will save time and trouble. (see figure 1)



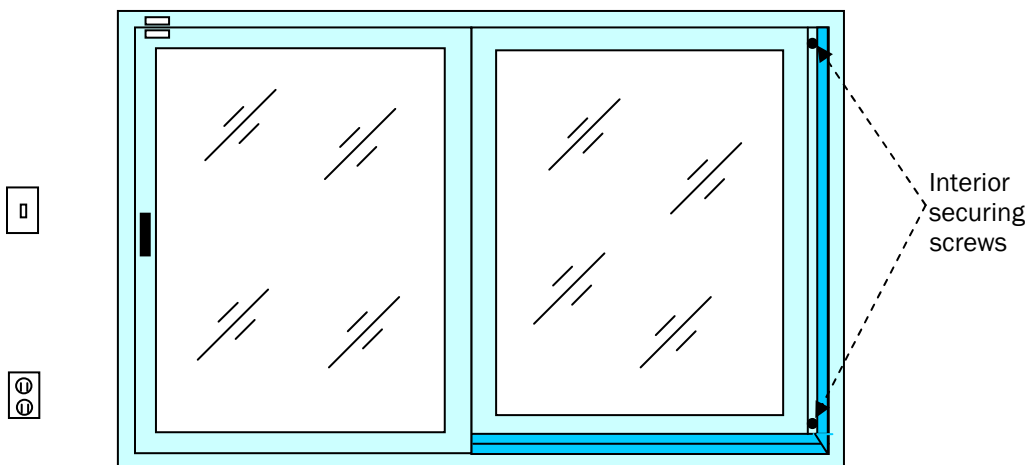
**Figure 1**  
Pet door insert installed on slider side



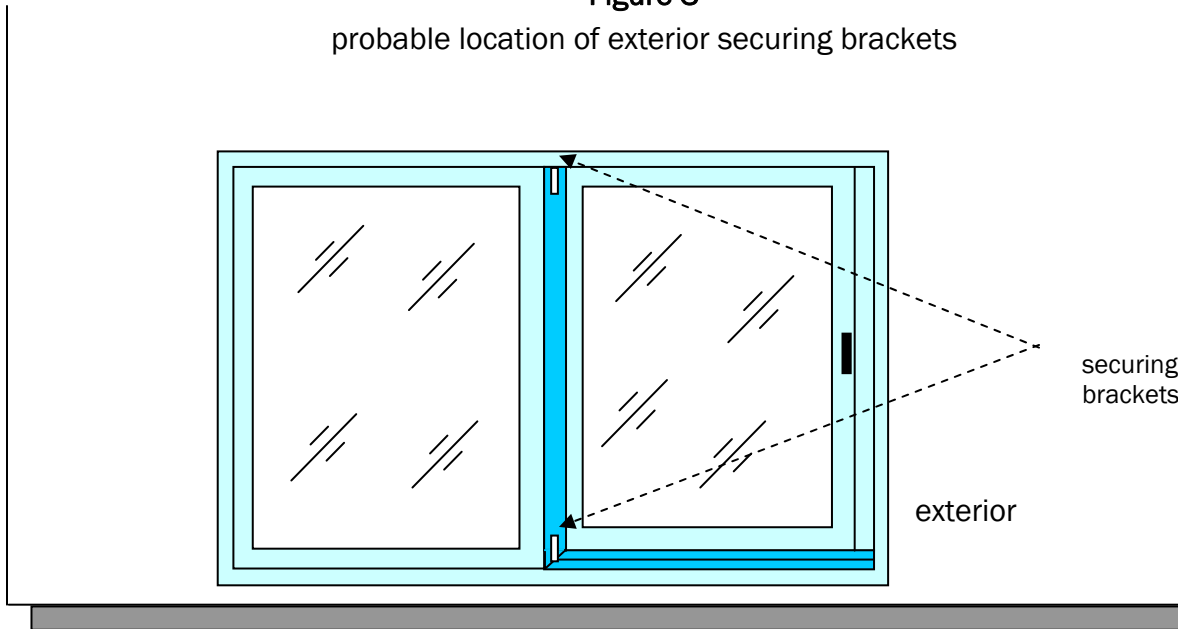
**Step 6:** The customer must decide whether they want the pet door insert on the slider (**opening**) side, or on the stationary side of their patio door. It is easier to install on the slider side, but may necessitate moving alarm sensors if there are any present. (see figure 1). If there are sensors the customer should consult with their alarm company on moving them. If the patio door has a keyed lock, installing the pet door insert on the slider side will prevent use of this type of lock.

**Step 7:** If you are installing on the slider side, skip this step. Locate and remove any securing screws or brackets that may be holding the stationary panel to the doorjamb. (see figures 2 and 3). Slide the stationary panel over far enough to give you room to work.

**Figure 2**  
probable location of interior securing screws

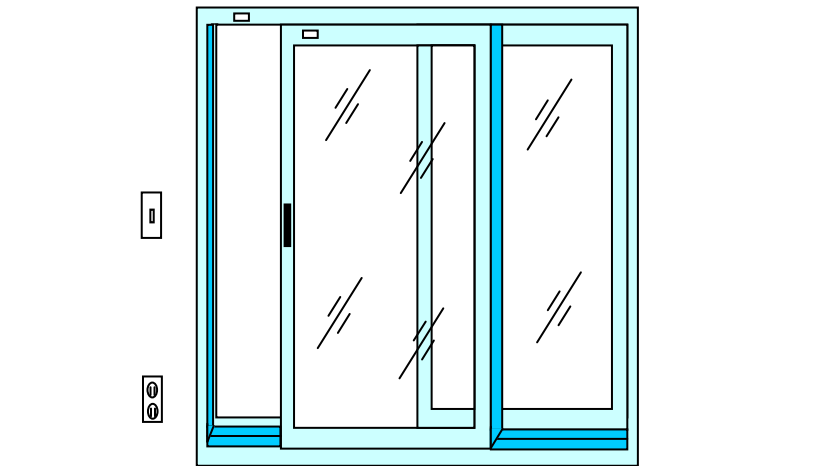


**Figure 3**  
probable location of exterior securing brackets

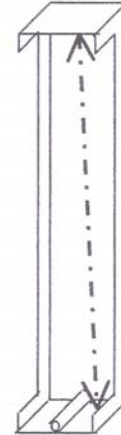


**Step 8:** Measure the height of the patio door frame from the top of the wheel track to the inside top of the door channel. (see figures 4 and 5).

**Figure 4**  
Typical patio or sliding door



**Figure 5**  
cross section of door frame

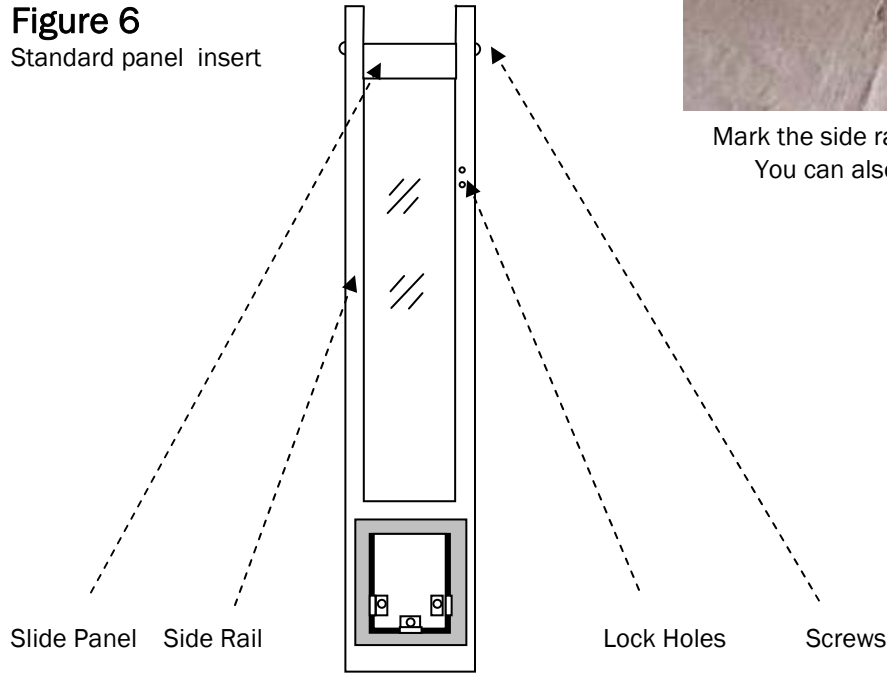


Measure as shown, cut  
insert panel to length.

**Step 9:** Measuring carefully, mark the side rails of the pet door panel unit to cut it to the proper height. Cut the rails to the proper length with a hacksaw or reciprocating saw. (see figure 6).



**Figure 6**  
Standard panel insert



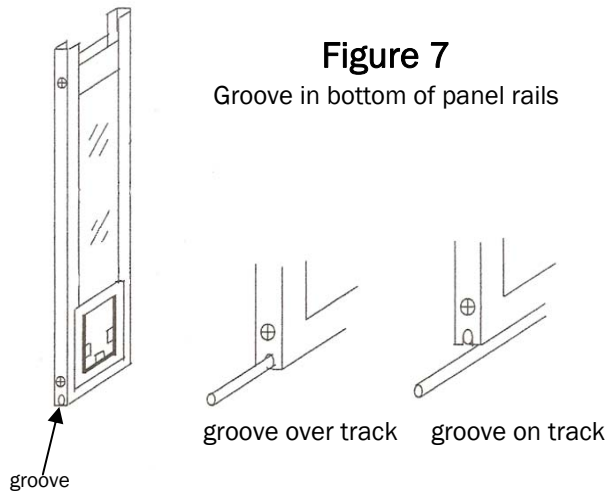
Mark the side rails and cut to proper height.  
You can also use a hacksaw for this.

**Step 10:** Place the panel unit insert into the door track to see how it fits. If you are installing on the stationary side, push the stationary panel up tight against the panel and check for gaps. If you are installing on the slider side, close the slider up tight against the panel and check for gaps. Any gaps between the edge of the slider and the panel unit insert should be covered when the lock strip is installed. If you still see gaps due to a crooked door frame after installing the lock strip, you may be able to close them by leaning the pet door insert one way or the other. If this doesn't work, you may wish to apply foam-tape type weather-stripping (available at any hardware store) to the side rail of your pet door insert.



Test fit the panel insert into place.

**Step 11:** The panel unit should be pulled tight against the door jamb lip to allow you to screw the pet door insert into place. (see photo). **Note:** The side rails of the pet door insert are notched at the bottom to allow it to straddle the wheel track in the door jamb, **but it does not have to do so!** It may be necessary to set the pet door insert on top of the wheel track in order to pull it in tight enough to screw it to the lip. (see figure 7).



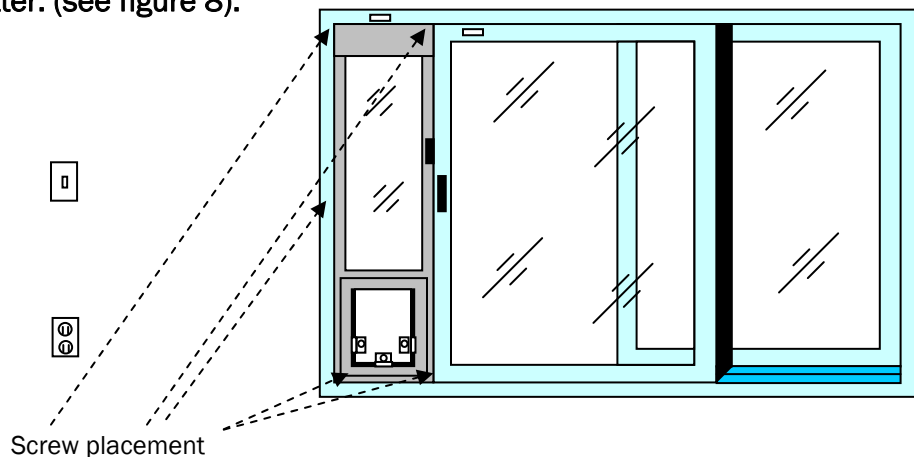
Push panel unit tight against the door jamb lip to screw into place.

If there is not enough of a lip to screw through, the pet door insert can be secured in place with silicone caulk. **NOTE:** If you do secure the insert with caulk, the pet door or the patio door **SHOULD NOT BE USED FOR AT LEAST 24 HOURS.** Using either door too soon will move the pet door panel before the silicone has set up.

**Step 12:** Once you are satisfied with the placement of the pet door panel, loosen the large Phillips head screw at the top edge of the insert. There are three on each edge of the insert, but only one of the top ones needs to be loosened. This will enable you to move the sliding panel up to close the gap at the top. (see figure 6) One or two turns to loosen the screw should be enough. Push the slide panel up tightly into the door channel. Tighten the screw back up to hold the sliding panel in place.

**Step 13:** Drill holes through the face of the door channel and into the panel insert. Screw the panel unit into the door frame. Use the included #6 sheet metal screws. Two screws at the top, two at the bottom and one or two in the side rail should be sufficient. **DO NOT** place the screws too close to the glass in the patio door. **If you strike the edge of the glass with a drill bit or screw it will shatter.** (see figure 8).

Figure 8



Screws installed in top of panel...

...and in bottom of panel.

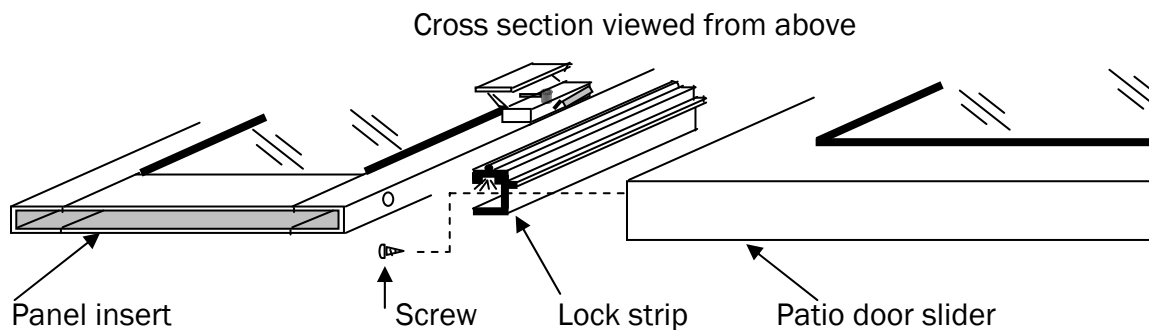




If you are installing on the stationary side, steps 14-16 may not be necessary

**Step 14:** Study figure 9. The top of the drawing is facing the inside of the house. Cut the lock strip to a length which will allow you to screw it to the leading edge of the slider. You want the lock strip to be as long as possible without scraping the door frame. When you close the slider, the lock strip should close around the edge of the pet door panel.

**Figure 9**  
Installing the lock strip



**Step 15:** Make sure the lock strip is facing the right way. (see figure 9) The latch bar needs to be inside the house. This is what the lock will latch onto. Screw the lock strip to the leading edge of the slider. **Again, be very careful installing the screws! If a drill bit or screw hits the glass it will shatter.**



**Step 16:** Attach the included patio door lock unit to the panel unit insert. Test to make sure the patio door slides and locks.

Attaching the lock strip to panel edge.

**Step 17:** If there are any gaps when the door is closed fill them with foam tape. **NOTE:** If you installed on the stationary side and DID NOT previously install the lock strip, you can install it to help close any gaps if necessary. You may also choose to install the door lock or use screws to fill the lock holes in the pet door panel.

**Step 18:** Cut the vinyl weather-stripping (included) to length with scissors. Remove the protective paper off the double sided tape and press firmly into position. Apply the vinyl weather-stripping to the back edge of the slider or the front edge of the stationary panel. This will eliminate the gaps created by overlapping glass between the slider and stationary panels. (see figure 1).

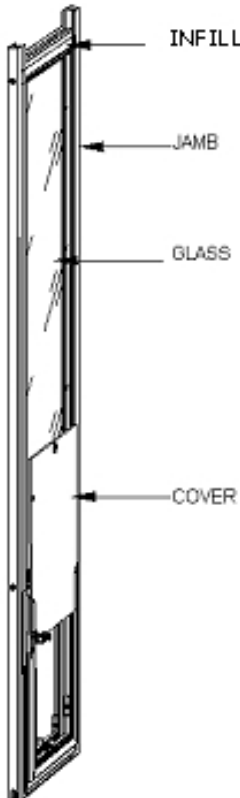


Apply vinyl weather-stripping.

**Step 19:** If you removed any brackets or screws from the stationary side when beginning your install, replace these now.

**Step 20:** Remove the protective paper from the GE Lexan® security cover and set it aside for a couple of hours before installing it into the front frame. A drying period will prevent the inner flap from sticking to the newly uncovered security cover. Slide the cover into place. Remove the drop cloths and clean up the area.

STANDARD PANEL MODEL



**Technical Specifications:**

**Pet Door Specifications:**

**Flaps:** Double flaps (one flap on each frame) made of flexible 3/16" clear PVC vinyl.

**Inner Frame:** Inner frame made of two separate metal extrusions. Three sides entrap the security cover. Both extrusions are .063" wall thickness.

**Outer Frame:** Extruded 6063-T5 aluminum with .063" wall thickness. Designed to sleeve into the inside frame.

**Alnico5 Magnets:** A 1/4" rod magnet 1 1/2" long made from an aluminum, nickel and cobalt alloy known for strength and durability. Door size determines number of magnets.

**Strikes:** Made of ferrous stainless steel. 1 1/2" long, 3/4" tall and 1/32" thick. U shaped with interior prongs, when pressed onto the vinyl flap, the barbed prongs hold firmly.

**Weather-stripping:** Flap is surrounded by 1/2" black nylon pile for maximum insulation. Nylon is woven into a backing 9/32" wide and 1/32" thick.

**Security Cover:** 3/16" thick GE Lexan® polycarbonate sheet. Extremely shock and impact resistant. Has a 3/8" diameter locking hole and a 3/4" diameter handle hole.

**Pin Lock:** A 1/4" diameter positive action steel pin encased with 5/32" thick fabricated plated steel.

## PANEL SPECIFICATIONS:

**Jamb:** Two heavy extruded pieces of aluminum extending the entire length of panel on each side. 1/16" walled 1 5/8" x 7/8". Top of jamb members are cut at installation to allow panel to fit door opening. Screws are set into jamb through door channel at top, outer edge and/or bottom of panel.

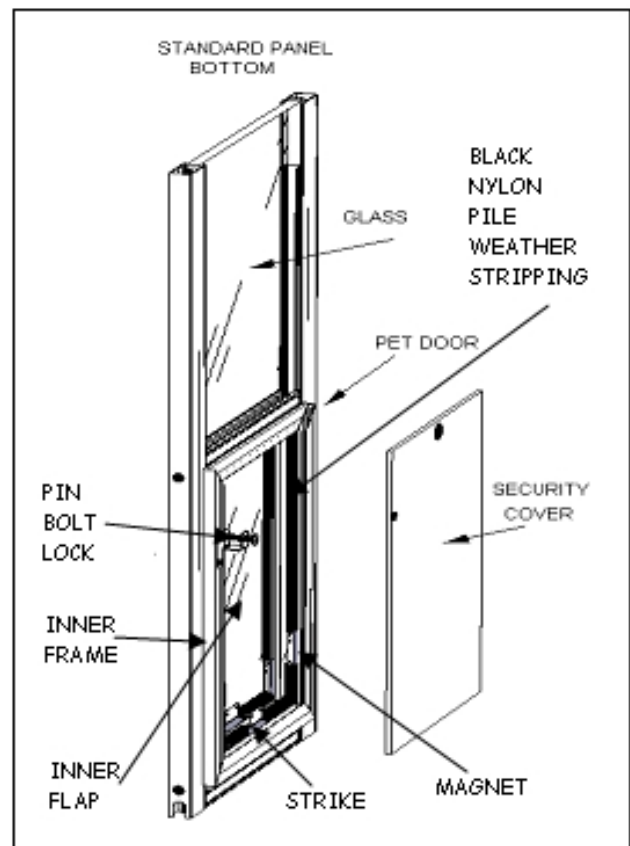
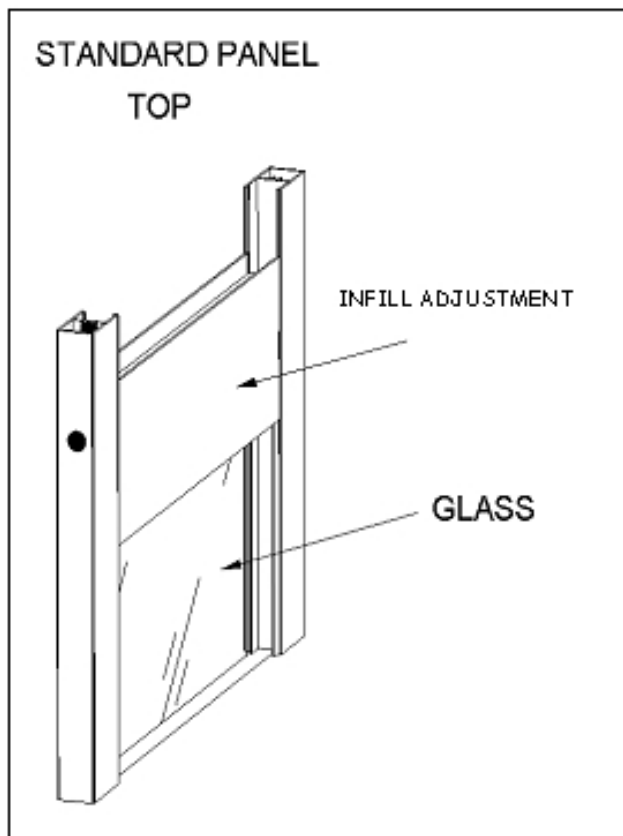
**Locking Strip:** Separate metal strip to be attached to leading edge of sliding glass door for panel door lock to secure into.

**Panel Door Lock:** Patio style door lock on panel that secures into the locking strip.

**Infill Adjustment:** Two pieces of 1/16" aluminum extrusion, 3 1/2" tall with 1/2" flange on inner side. Fastened together at flanges with two 1/8" x 3/16" pan head screws. They are raised to cover the open area once the panel is installed and held in place by tightening 3/16" x 3" pan head screws located on outside of the panel.

**Glass:** Double pane insulated tempered glass.

**Vinyl Weather-stripping:** Unit also comes with extra length of 1 7/8" x 1/16" black vinyl weather-stripping to attach to back edge of your patio door to prevent air leakage.





## Problem solving

### Crooked door frame

- As a house settles, the door and window frames can shift until they're no longer square. This means that when installing a perfectly straight pet door panel there will be a gap at the side.
- The first thing to try is simply leaning the pet door panel a little to eliminate the gap. If this works, push the slide panel up and tighten it to hold the pet door panel in place. Install the screws. Check for fit frequently.
- If the door is too far out of square for leaning to work, apply foam tape to the edge of the pet door panel. **Do not apply foam tape to the slider or the door jamb.** Foam tape is difficult and messy to remove. If you apply it to the slider or door jamb, trying to remove it in the future is going to be a frustrating mess for somebody, possibly you.

### Not enough door frame to screw to

- In a case where the door frame or doorjamb is too small to drill through, you can secure the pet door panel by using silicone caulk along the side and bottom to glue the pet door panel in place. Use the slide panel to secure the top.
- **Instruct the customer not to use the pet door or the patio door for 24 hours if possible.** Using either door too soon will move the pet door panel before the silicone has set up.

### Panel too long

- If the pet door panel was made wrong and is too long even if you were to cut the top as short as possible, you can cut a fair amount off the bottom. If it seems necessary, you can cut it all the way to the bottom of the pet door frame. A reciprocating saw with a metal cutting blade is the best choice for this job.

### Panel too short

- If the pet door panel was made a little too short (or you cut it a little too short), often you can make it work by pushing the slide panel up high enough to secure the pet door panel into the door jamb and filling any gaps with foam tape or caulk. This only works if the panel is just a little too short.
- You can also try placing a piece of comp strip between the top of the pet door panel and the door jamb. Make sure it's no longer than the panel is wide. If it's wider than the panel unit, it will interfere with the patio door closing.